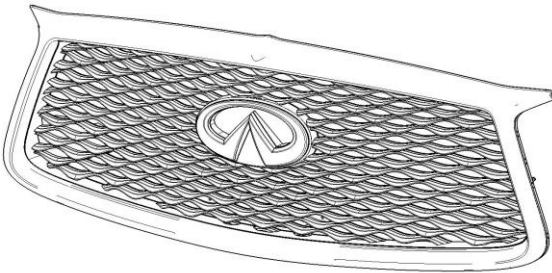


INSTALLATION INSTRUCTIONS

- 1. DESCRIPTION:** Sport Grille (STD)
- 2. APPLICATION:** Q60
- 3. PART NUMBER:** F2310 5CA0A (STD,W/O CAMERA,W/O SONAR)

4. KIT CONTENTS:

Item	Qty.	Description	Part Number
A	1	Sport Grille (STD)	N/A
B	1	Installation Instruction Replacement Template	999V2 AW000



A



B

5. TOOLS REQUIRED:

- Flathead screwdriver
- Masking Tape
- Needle nose pliers
- Clip Remover
- 10mm Socket & Driver
- Torx

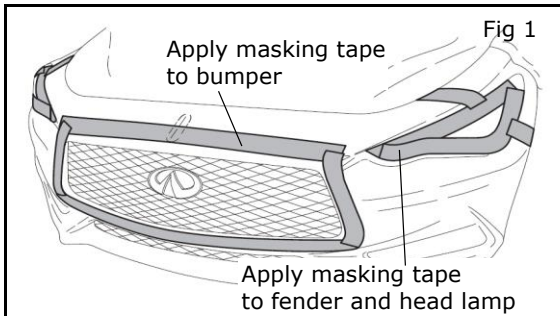
6. PRE-INSTALLATION CAUTIONS/NOTES:

- Dealer Installation Recommended.

7. INSTALLATION PATTERN:

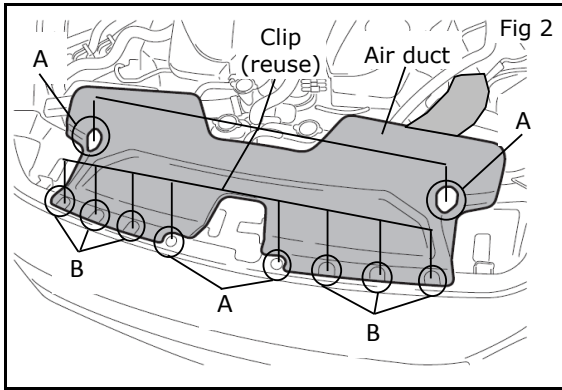
62310 5CA0A(STD ,W/O CAMERA,W/O SONAR) ⇒ F2310 5CA0A (STD ,W/O CAMERA,W/O SONAR)

8. INSTALLATION PROCEDURE:

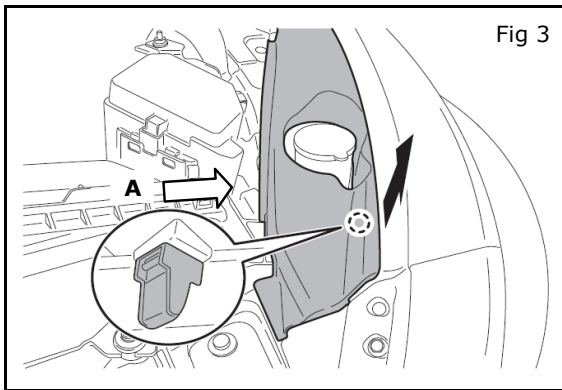


- 1) Open the vehicle engine hood.
- 2) Apply masking tape to front fender, head lamp and bumper, around the grille, to prevent scratches.
- 3) Keep turning the wheel to the left or right direction.
- 4) Disconnect the vehicle battery (negative terminal).

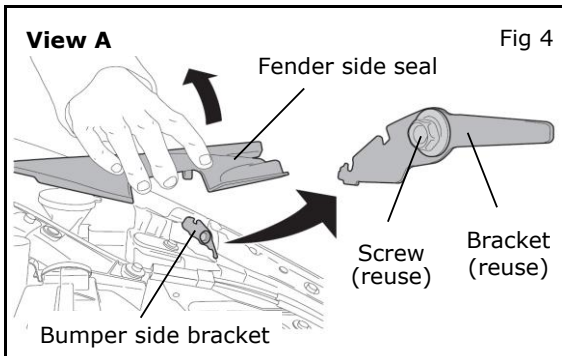
INSTALLATION PROCEDURE: (continue)



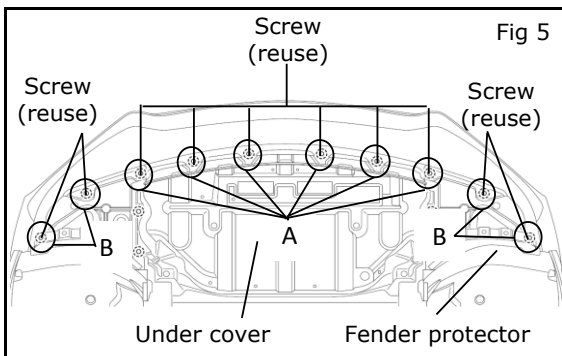
- 5) Remove 10 clips that attach air duct to the vehicle. (Keep to reuse)
 ※The clip must be careful because the two kinds.
 Clip A(Cross type) : 4 Clips
 Clip B(Triangle type) : 6 Clips



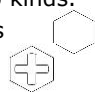
- 6) Detach the front end of a claw of the fender side seal by pulling upward.
 For degradation Hand, or clip remover use.
 (LH/RH both sides)



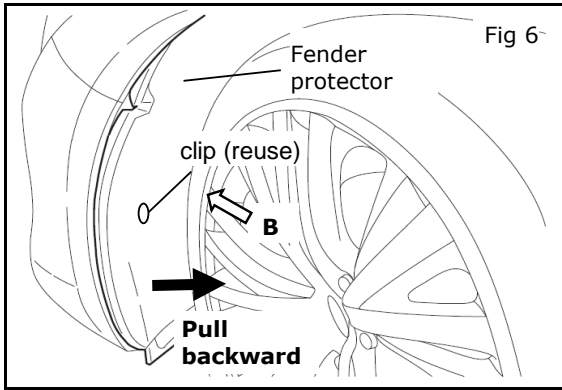
- 7) While pulling upward the fender side seal, detach screw that attaches a front bumper side bracket and remove the bracket. (Keep to reuse)
 (LH/RH both sides)



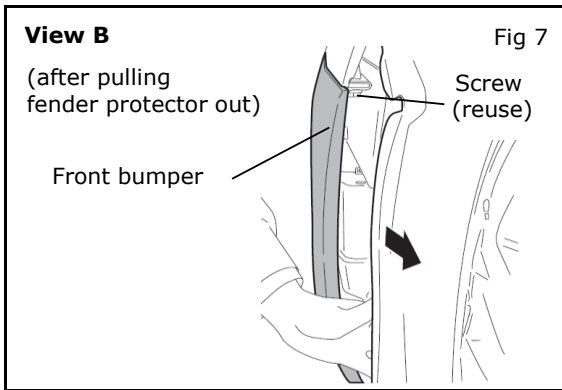
- 8) Detach 6 screws A on under cover (Keep to reuse).
 9) Detach 4 screws B on fender protector on each side (Keep to reuse).
 ※The clip must be careful because the two kinds.
 Screw A(Without cross hole) : 6 Screws
 Screw B(With cross hole) : 4 Screws



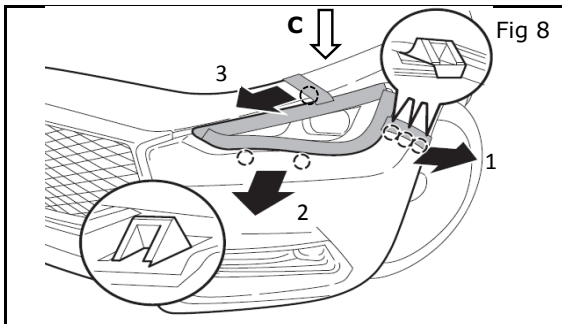
INSTALLATION PROCEDURE: (continue)



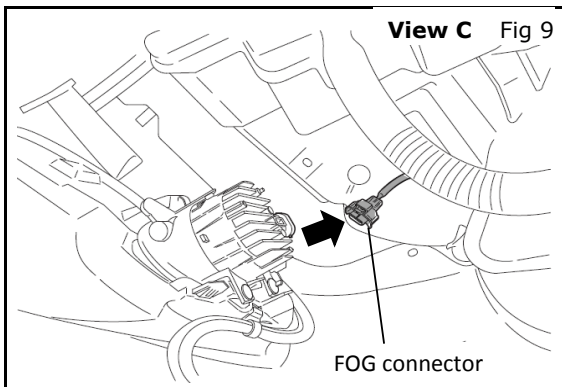
- 10) Detach clip in the wheel house (Keep to reuse) and pull the fender protector to backward. (LH/RH both sides)



- 11) Detach screw which is behind the front bumper . (Keep to reuse) (LH/RH both sides)

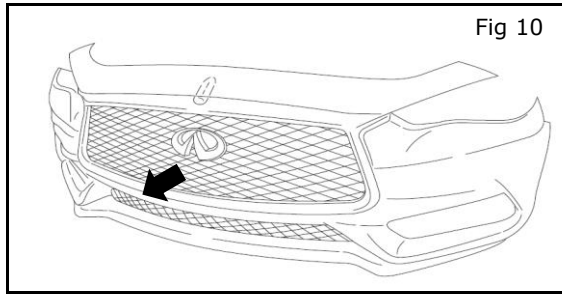


- 12) Detach the bumper fascia from the claws of vehicle fender and head lamp by pulling in the direction of the arrow 1,2 and 3. (LH/RH both sides)

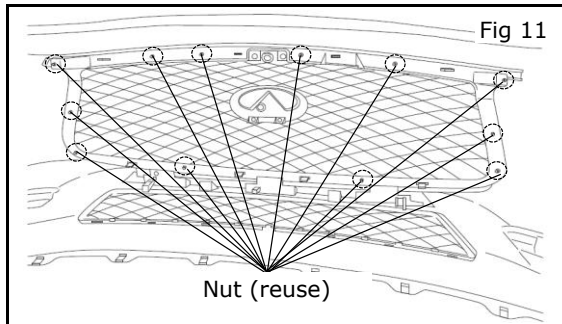


- 13) During pull bumper forward, pull off the FOG connector. (LH/RH both sides)

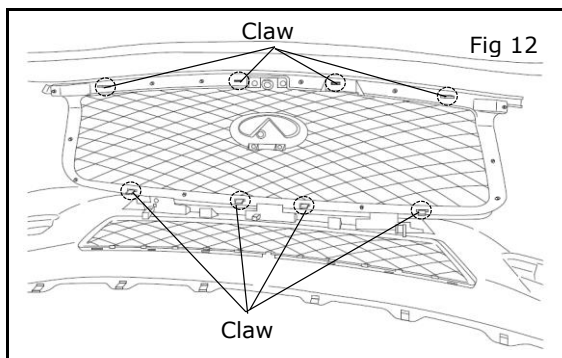
INSTALLATION PROCEDURE: (continue)



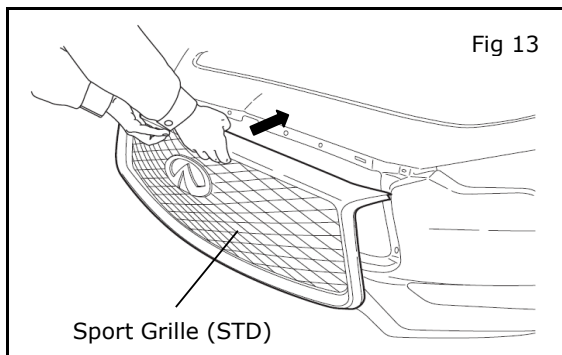
14) Remove the bumper from the vehicle.



15) Remove 12 nuts that attach the radiator grille.



16) By hand, unhook the grille 8 claws from the bumper and slowly remove the grille by pulling the grille away from bumper.



- 17) Align Sport Grille (STD) claws to the holes in bumper.
18) Push Sport Grille (STD) against the bumper until claws are fully inserted and locked.
19) Fix Sport Grille (STD) with nuts that were removed in 15).
20) Reinstall all removed parts in reverse order. Refer to REMOVAL AND INSTALLATION (FRONT BUMPER) : Check Clearance and Surface Height Difference.
21) Connect the vehicle battery (negative terminal.)
22) Remove any remaining masking tape.
23) Close the vehicle engine hood.

Verify re-installed parts for proper flush fit

Please carry out lighting confirmation of Fog Lamp.